



C-Fix Coping System

DATA SHEET



Practical high performance, low maintenance, wall protection

Bailey C-Fix secret fix coping provides practical low maintenance protection for parapet walls. It provides an economical, long lasting weatherproof solution that is environmentally efficient and which is appropriate for traditional and modern projects.

The colour of Bailey C-Fix can be varied to suit individual applications and it is suitable for projects of any proportion and size without affecting its accurate, speedy clip-on installation.

Supplied as standard with a sloped weatherstruck profile to replicate traditional cappings, Bailey C-Fix is adapted as appropriate to your project. C-Fix is fully compatible with Bailey's comprehensive eaves and rainwater systems and can be used by itself or in combination to create stunning eaves, soffits and elevation details.

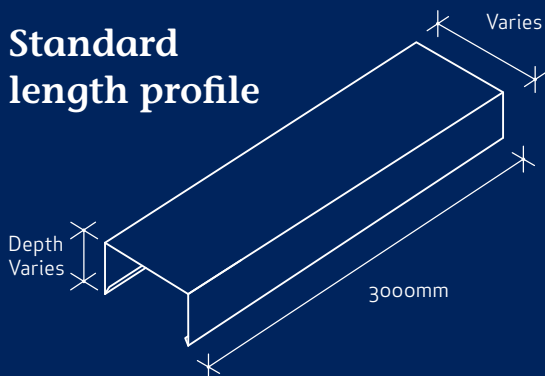
- EPDM seals at joints for weatherproof integrity.
- Allows for structural and thermal movement.
- Fully secret-fixed for superior waterproofing.
- Wide range of finishes including polyester powder coating, anodising, PVDF and metallics.



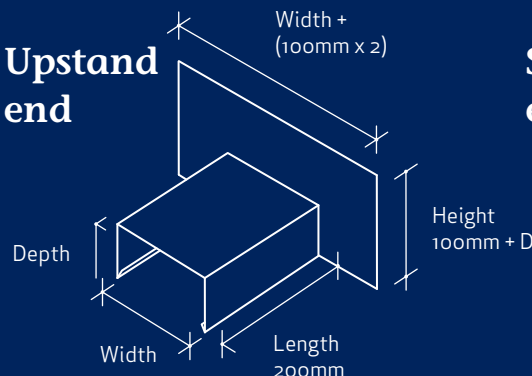
C-Fix Coping Product Guide and Fixing Instructions

1 Components

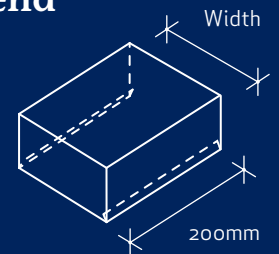
Standard length profile



Upstand end

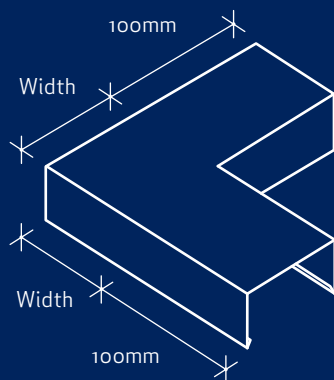


Stop end

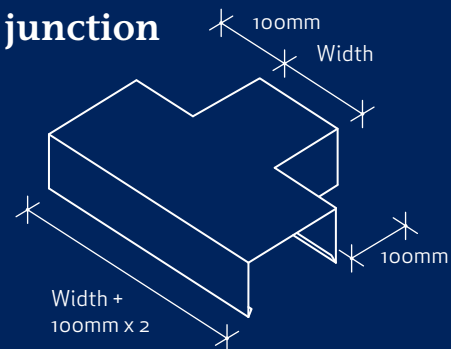


Corner junction

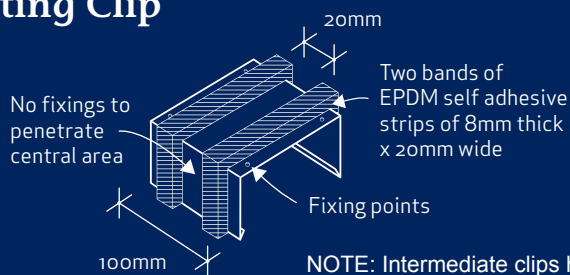
(External & internal corners available)



'T' junction

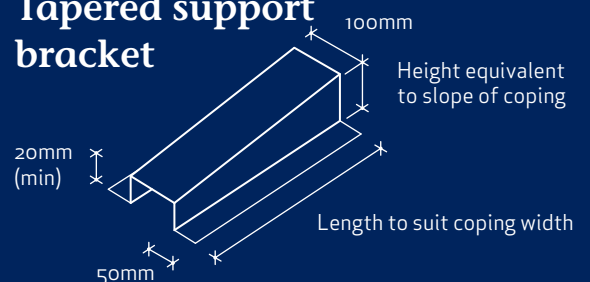


Jointing Clip



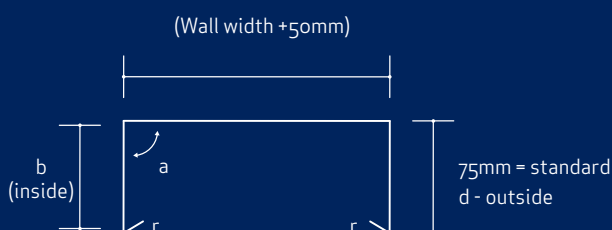
NOTE: Intermediate clips have one band of EPDM strip in the centre.

Tapered support bracket



2 Ordering

Measure wall in several places and note the maximum widths. Order coping at this size plus 50mm minimum.



r = return 2 x 17mm = 34mm

a = 92° angle standard

Note: angle can be made to suit specific requirement

Formula: b + c + d + r = total girth

3 General instructions

Components should be stored carefully, stacked at a safe height and kept wrapped until required for installation. Profiles are potentially vulnerable to scratching or other damage when being moved on site and appropriate care should be taken.

4 Installation instructions (to plywood or similar substrate)

- 1) Starting point of installation is from one fixed point (eg. a corner) and working away towards another fixed point (eg. stop end).
- 2) Fix corner component with two joint clips and a cut down intermediate clip (site cut) to support the extreme outer edge. Then fix the opposite stop end (or other fixed point).
- 3) String a line between these two points and set out joint clips in between to coincide with panel lengths (maximum length is 3m). Fix using appropriate fixings supplied (see diagram 5.1).
- 4) Set out intermediate clips at maximum 1m centres in between joint clips and fix as before.
- 5) Snap coping component over clips as shown in diagram 5.2 leaving a 3mm expansion gap in between each component.
- 6) Last length in each run should be cut to suit.
- 7) Profiles to be cut must be measured carefully and have masking tape affixed along both sides of the cut line. Accurately mark the points to be cut, then use a jigsaw with the correct aluminium blade. Cut line must be clean, crisp and true. Cut edges should be touched in using matching touch up paint which is available from Bailey.
- 8) Check neatness of installation and if necessary, use touch up paint to repair any slight blemishes. Clean down with warm water and mild detergent using a soft sponge or cloth.
- 9) Where a suitable (e.g. plywood) substrate set to a fall is not present, consider using Tapered support bracket in conjunction with coping clips (see diagram 6).

If you require further information or have any queries, please contact Bailey Technical Support.

Tel: 01403 261844 Email: sales@baileyeaves.com

5 Typical coping layout

Diagram 5.1

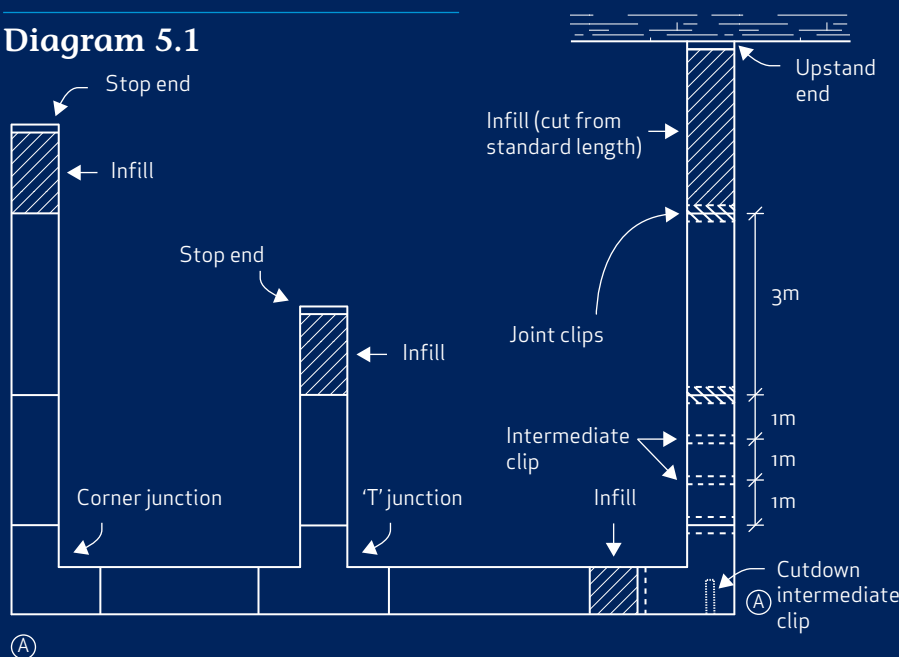
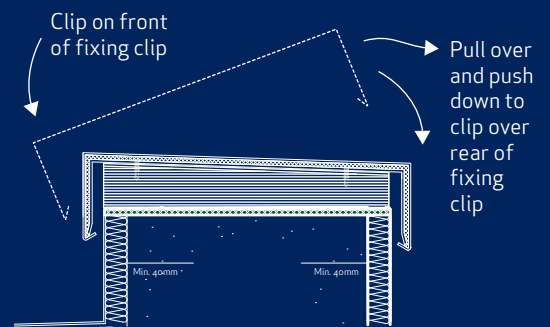


Diagram 5.2



NOTES:

- 1) Coping joint clips to be fixed using 4 No. BFX20
- 2) Coping intermediate clips to be fixed using 2 No. BFX20

6 Installation detail using tapered support bracket

Diagram 6.1 – Typical section detail

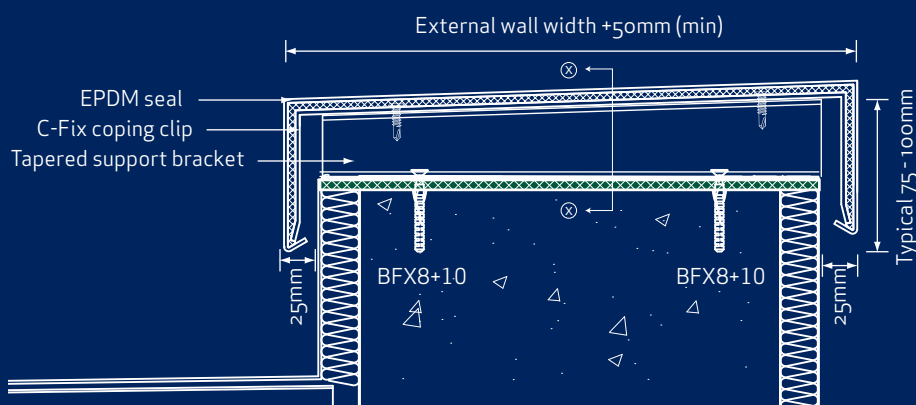
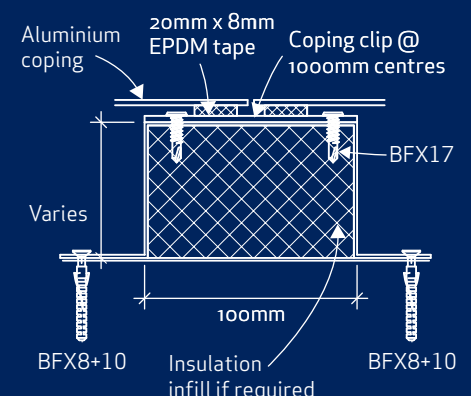


Diagram 6.2 – Section x-x



Specification

Bailey can provide technical assistance and is always willing to draft specifications for individual projects.

H31 METAL PROFILED / FLAT SHEET CLADDING / COVERING

Coping system to
Manufacturer and reference	Bailey, Blatchford Close, Horsham, West Sussex, RH13 5RF Telephone 01403 261844. Fax 01403 264823
Profile reference	Bailey C-Fix Coping
Drawing reference	As applicable
Material	Aluminium to EN 485/515 /573 supplied by BS EN ISO 9002 registered stockist to allow traceability. All materials to be recyclable.
Panel thickness	Minimum 2mm increased in accordance with width and recommendations of Bailey Eaves Systems.
Panel length	Supplied in 3m lengths for site cutting where required for normal building tolerances.
Finish/colour	Visible faces to be polyester powder coated to colour and gloss level selected from the manufacturer's standard range. Polyester powder coating is to be electrostatically applied at the manufacturer's in-house plant. Pretreatment of the aluminium is to produce no environmentally harmful effluent and conform with Qualicoat standards. Test samples are to be retained and results submitted to the architect if requested. Tests to be applied as a minimum are: 1. 1000 hour salt spray test 2. Impact test (0.908kg from 0.25m high) 3. Permeability test (2 hour pressure cooker) 4. Adhesion test (2mm cross hatch) 5. Flexibility test (20mm mandrell) 6. MIBK cure test (As standard only visible faces are polyester powder coated. Some severe industrial or marine locations may require coating to reverse sides of some components. Consult Bailey technical department in these situations.)
Accessories	Factory fabricated corners, stopends, upstands, junctions etc as required (see manufacturer's standard component dimensions).
Special features	To be fixed to Bailey tapered coping support brackets or prepared plywood substrate by contractor.
Method of fixing	Aluminium clips installed at 1000mm intervals with EPDM sealing strips. Coping to compress EPDM seals and return edge of profile to clip firmly on to the projections. Ensure fixing clips are fully supported along entire width of profile. No fixing to penetrate outer coping panel, unless width is in excess of 600mm. (Consult Bailey technical department in these situations.)
Thermal bridging	(Only include this section if insulation is required for the coping system.) Complete thermal design of the coping system to avoid excessive thermal bridging.
Design	Installation subcontractor to provide details for approval prior to manufacture.
Packaging	All components to be fully wrapped and protected. Bundles to be no larger than can be handled by one person to ensure transfer to point of installation in original packaging. In the case of large or heavy items, these should be clearly marked with the appropriate warning and the approximate weight. Components to be labelled in accordance with part numbers given on working drawings.
Installation	To be carried out by a reputable subcontractor whom Bailey can recommend if necessary.



UK office Blatchford Close
Horsham West Sussex
RH13 5RF
Tel +44 (0)1403 261844
Email sales@bailey-uk.com
www.bailey-uk.com

European office
Tel +31 (0)88 100 3800
Email sales@bailey-eu.com
www.bailey-eu.com

Specification for other products can be found in the relevant datasheet or in the specification section of the Bailey Technical Handbook or on the Bailey website www.baileyeaves.com.