

Bailey Flow-therm Product Selector

A RANGE OF QUALITY AND ROBUST RAINWATER OUTLET
AND VENTILATION SYSTEMS FOR FLAT ROOFS,
MANUFACTURED FROM RIGID POLYURETHANE.



Bailey Flow-therm Insulated Rainwater Outlets

Bailey Roofing Systems is a long established company with over 30 years experience and technical expertise in flat roofing. Bailey's commitment is to provide first class products, designed and manufactured to meet the requirement for a successful and long lasting flat roof backed up by a reliable and efficient service.

As part of Bailey's continual research and development to produce innovative products to meet changing industry demands, Bailey Flow-therm roof outlet and ventilation systems have been introduced.



BAILEY FLOW-THERM ROOF OUTLETS AND VENTS OFFER THE FOLLOWING BENEFITS:

- thermally insulated
- high capacity efficient drainage
- robust and durable
- watertight seal to all waterproofing membranes and drainage systems.

With recent changes to Part L of the Building Regulations, there has been increased pressure to improve the U-value of buildings and eliminate heat loss by thermal conductivity. This is being achieved by greater insulation thicknesses and the use of thermally broken fasteners such as tube washers. However, on a flat roof there are often many penetrations such as soil vent pipes and roof drainage outlets. These items are often made from materials such as cast iron and aluminium which are good thermal conductors, resulting in significant heat loss. Bailey Flow-therm roof outlets and vents are manufactured from rigid polyurethane, a robust material with a long life expectancy, but also a good thermal insulator minimising heat loss at these penetration points.

Flow



Flow-therm - meeting standards

Bailey Flow-therm outlets range from deep to shallow sump outlets for efficient drainage of large flat roof areas down to small balcony or terrace roofs. Flow-therm outlets are available to suit conventional and siphonic drainage systems as well as parapet wall and emergency drainage according to BS EN 12056-3 and Firesafe outlets according to DIN 18234 part 3 and 4. Flow-therm outlets and vents are supplied in a variety of sizes, with rubber 'O' rings, allowing a watertight seal to all standard pipework diameters in both new build and refurbishment situations. Manufactured with a selection of integrated membrane flanges, ensures a waterproof connection to all waterproofing membranes, essential for the success of any flat roof system.

The Flow-therm range fits perfectly into Baileys product portfolio of flat roof waterproofing systems, creating one complete flat roof solution for all your projects.



Technical Information

Bailey can provide technical assistance with the selection and quantity of Flow-therm outlets required for your project. Our in-house team will produce flat roof drainage calculations, including the dimensions and number of outlets needed to drain each roof area according to BS EN 12056-3.

In addition to this, standard CAD drawings are available for the entire Flow-therm range allowing easy incorporation into architects drawings and plans.

PLEASE ENQUIRE ABOUT OUR COMPREHENSIVE RANGE OF BAILEY ROOFING SYSTEMS:

- Bailey Atlantic Sustainable Single Ply
- Bailey System 5000 Flame-free Felt System
- Bailey System 17000 High Performance. Torch-on Roofing System
- Bailey System 12000 (APP) Commodity Range
- Bailey Classic (SBS) Commodity Range
- Bailey Eco-roof Green Roof System
- Bailey Sure-line Preformed Roof Edging System



therm

Contents

- Section 1 - Bailey Flow-therm Standard Outlets
- Section 2 - Bailey Flow-therm Universal Outlets
- Section 3 - Bailey Flow-therm Parapet Outlets
- Section 4 - Bailey Flow-therm Retrofit Outlets
- Section 5 - Bailey Flow-therm Compact Outlets
- Section 6 - Bailey Flow-therm Roof Vents
- Section 7 - Bailey Flow-therm Firesafe Outlets & Vents
- Section 8 - Diagrams

Outlet Selection Table

REFURBISHMENT PROJECTS

DOWNPIPE		OUTLET	
Type	Size	Type	Size
Socketless PVC or cast iron	63mm Ø	Sure-flow*	50mm
Socketless PVC or cast iron	75mm Ø	Sure-flow*	62mm
Socketless PVC or cast iron	110mm Ø	Flow-therm Retrofit	100 - 140mm
		Flow-therm Retrofit Extra	90mm
Socketless PVC or cast iron	160mm Ø	Flow-therm Retrofit	140 - 165mm
Socketless PVC or cast iron	200mm Ø	Flow-therm Retrofit	165 - 200mm

NEW BUILD PROJECTS

DOWNPIPE		OUTLET	
Type	Size	Type	Size
Socketed PVC	50mm Ø	Flow-therm Compact	50mm
Socketed PVC	75mm Ø	Flow-therm Standard	75mm
		Flow-therm Universal	75mm
		Flow-therm Compact	75mm
Socketed PVC	110mm Ø	Flow-therm Standard	110mm
		Flow-therm Universal	110mm
Socketed PVC	160mm Ø	Flow-therm Standard	160mm
		Flow-therm Universal	160mm
Socketed PVC	200mm Ø	Flow-therm Standard	200mm

* Not included in this brochure - contact sales office for more info.

Bailey Flow-therm Standard

A conventional range of deep sump outlets, manufactured from polyurethane and available with an integrated flange of bituminous felt, PVC, Bailey Atlantic® TPE and other waterproofing membranes*.

FLOW-THERM STANDARD OUTLET - VERTICAL SPIGOT

A vertical spigot outlet available in a range of sizes from 75mm Ø to 200mm Ø** with a bituminous felt, PVC, Bailey Atlantic® or Atlantic EC16 flange ensuring a watertight seal with most types of waterproofing and vapour control membrane. Supplied with dome leaf guard. (See Diagrams pages 13-17)

FLOW-THERM STANDARD	Code	Description	Size
	F-650-75	Bailey Flow-therm Standard Outlet - 75mm (felt flange)	75mm Ø
	F-650-110	Bailey Flow-therm Standard Outlet - 110mm (felt flange)	110mm Ø
	F-650-160	Bailey Flow-therm Standard Outlet - 160mm (felt flange)	160mm Ø
	F-650-10-75	Bailey Flow-therm Standard Outlet - 75mm (PVC flange)	75mm Ø
	F-650-10-110	Bailey Flow-therm Standard Outlet - 110mm (PVC flange)	110mm Ø
	F-650-10-160	Bailey Flow-therm Standard Outlet - 160mm (PVC flange)	160mm Ø
	D-550-75	Bailey Flow-therm Standard Outlet - 75mm (Atlantic flange)	75mm Ø
	D-550-110	Bailey Flow-therm Standard Outlet - 110mm (Atlantic flange)	110mm Ø
	D-550-160	Bailey Flow-therm Standard Outlet - 160mm (Atlantic flange)	160mm Ø
	D-550-16-75	Bailey Flow-therm Standard Outlet - 75mm (Atlantic EC16 flange)	75mm Ø
	D-550-16-110	Bailey Flow-therm Standard Outlet - 110mm (Atlantic EC16 flange)	110mm Ø
	D-550-16-160	Bailey Flow-therm Standard Outlet - 160mm (Atlantic EC16 flange)	160mm Ø

Figure 1

FLOW-THERM STANDARD EXTENSION UNIT

An extension piece which connects to Standard outlets with a rubber sealing ring, for use in warm roof situations, to extend through insulation thicknesses from 80-220mm. The bituminous felt, PVC or Bailey Atlantic® / Atlantic EC16 flange enables most waterproofing membranes to be fully sealed round the outlet. (See Diagrams pages 13-17)


FLOW-THERM STANDARD	Code	Description	Size
	F-651-80/160	Bailey Flow-therm Standard Ext'n Unit - 80-160mm (felt flange)	80-160mm height
	F-651-120/220	Bailey Flow-therm Standard Ext'n Unit - 120-220mm (felt flange)	120-220mm height
	F-651-10-80/160	Bailey Flow-therm Standard Ext'n Unit - 80-160mm (PVC flange)	80-160mm height
	F-651-10-120/220	Bailey Flow-therm Standard Ext'n Unit - 120-220mm (PVC flange)	120-220mm height
	D-551-80/160	Bailey Flow-therm Standard Ext'n Unit 80-160mm (Atlantic flange)	80-160mm height
	D-551-120/220	Bailey Flow-therm Standard Ext'n Unit 120-220mm (Atlantic flange)	120-220mm height
	D-551-16-80/160	Bailey Flow-therm Standard Ext'n Unit 80-160mm (Atlantic EC16 flange)	80-160mm height
	D-551-16-120/220	Bailey Flow-therm Standard Ext'n Unit 120-220mm (Atlantic EC16 flange)	120-220mm height

Figure 2

FLOW-THERM STANDARD RETAINING UNIT

A retaining unit which connects to Standard outlets with a rubber sealing ring to act as an emergency drain. The retaining unit is height adjustable from 25-105mm allowing the installer to set the height / head of water at which the outlet will begin to operate. For example if the height is set at 35mm, the outlet will only begin to drain when the water on the roof reaches a depth of more than 35mm. It is important that outlets with a retaining unit are drained separately from the main system. (See Diagrams pages 13-17)


FLOW-THERM STANDARD	Code	Description	Size
	F-652-25/105	Bailey Flow-therm Standard Retaining Unit - 25-105mm	25-105mm height

Figure 3

* Flow-therm Standard outlets can be manufactured with a custom membrane flange, subject to satisfactory testing and a minimum order quantity - please contact our sales office for details.

** Not a standard item, please contact our sales office for prices and lead times.

Bailey Flow-therm Universal

A versatile range of medium sump outlets, manufactured from polyurethane and available with an integrated flange of bituminous felt, PVC, Bailey Atlantic® TPE and other waterproofing membranes*, or a screw on flange for clamping all types of membrane.



FLOW-THERM UNIVERSAL OUTLET - VERTICAL SPIGOT

A vertical spigot outlet available in a range of sizes from 75mm Ø to 125mm Ø** with a bituminous felt, PVC, Bailey Atlantic® / Atlantic EC16 or screw on flange ensuring a watertight seal with all types of waterproofing and vapour control membrane. Supplied with dome leaf guard. (See Diagrams pages 13-17)

FLOW-THERM UNIVERSAL	Code	Description	Size
 <p>Figure 4</p>	F-653-75 F-653-110	Bailey Flow-therm Universal Outlet - 75mm (felt flange) Bailey Flow-therm Universal Outlet - 110mm (felt flange)	75mm Ø 110mm Ø
	F-653-10-75 F-653-10-110	Bailey Flow-therm Universal Outlet - 75mm (PVC flange) Bailey Flow-therm Universal Outlet - 110mm (PVC flange)	75mm Ø 110mm Ø
 <p>Figure 5</p>	D-553-75 D-553-110	Bailey Flow-therm Universal Outlet - 75mm (Atlantic flange) Bailey Flow-therm Universal Outlet - 110mm (Atlantic flange)	75mm Ø 110mm Ø
	D-553-16-75 D-553-16-110	Bailey Flow-therm Universal Outlet - 75mm (Atlantic EC16 flange) Bailey Flow-therm Universal Outlet - 110mm (Atlantic EC16 flange)	75mm Ø 110mm Ø
	F-656-75 F-656-110	Bailey Flow-therm Universal Outlet - 75mm (screw on flange) Bailey Flow-therm Universal Outlet - 110mm (screw on flange)	75mm Ø 110mm Ø


FLOW-THERM UNIVERSAL OUTLET - ANGLED SPIGOT

A 90° angled spigot outlet available in a range of sizes from 75mm Ø to 125mm Ø** with a bituminous felt, PVC, Bailey Atlantic® / Atlantic EC16 or screw on flange ensuring a watertight seal with all types of waterproofing and vapour control membrane. Supplied with dome leaf guard. (See Diagrams pages 13-17)

FLOW-THERM UNIVERSAL	Code	Description	Size
 <p>Figure 6</p>	F-654-75 F-654-110 F-654-10-75 F-654-10-110	Bailey Flow-therm Universal Angled Outlet - 75mm (felt flange) Bailey Flow-therm Universal Angled Outlet - 110mm (felt flange) Bailey Flow-therm Universal Angled Outlet - 75mm (PVC flange) Bailey Flow-therm Universal Angled Outlet - 110mm (PVC flange)	75mm Ø 110mm Ø 75mm Ø 110mm Ø
	D-554-75 D-554-110	Bailey Flow-therm Universal Angled Outlet - 75mm (Atlantic flange) Bailey Flow-therm Universal Angled Outlet - 110mm (Atlantic flange)	75mm Ø 110mm Ø
 <p>Figure 7</p>	D-554-16-75 D-554-16-110	Bailey Flow-therm Universal Angled Outlet - 75mm (Atlantic EC16 flange) Bailey Flow-therm Universal Angled Outlet - 110mm (Atlantic EC16 flange)	75mm Ø 110mm Ø
	F-657-75 F-657-110	Bailey Flow-therm Universal Angled Outlet - 75mm (screw on flange) Bailey Flow-therm Universal Angled Outlet - 110mm (screw on flange)	75mm Ø 110mm Ø


FLOW-THERM UNIVERSAL EXTENSION UNIT

An extension piece which connects to Universal outlets with a rubber sealing ring, for use in warm roof situations, to extend through insulation thicknesses from 60-220mm. The bituminous felt, PVC or Bailey Atlantic® / Atlantic EC16 flange enables most waterproofing membranes to be fully sealed round the outlet. All membranes can be clamped using the screw on flange version. (See Diagrams pages 13-17)

FLOW-THERM UNIVERSAL	Code	Description	Size
 <p>Figure 8</p>	F-655-60/150 F-655-120/220	Bailey Flow-therm Universal Ext'n Unit 60-150mm (felt flange) Bailey Flow-therm Universal Ext'n Unit 120-220mm (felt flange)	60-150mm height 120-220mm height
	F-655-10-60/150 F-655-10-120/220	Bailey Flow-therm Universal Ext'n Unit 60-150mm (PVC flange) Bailey Flow-therm Universal Ext'n Unit 120-220mm (PVC flange)	60-150mm height 120-220mm height


* Flow-therm Universal outlets can be manufactured with a custom membrane flange, subject to satisfactory testing and a minimum order quantity - please contact our sales office for details.

** Not a standard item, please contact our sales office for prices and lead times.

FLOW-THERM UNIVERSAL	Code	Description	Size
 <p>Figure 9</p>	D-555-60/150	Bailey Flow-therm Universal Ext'n Unit 60-150mm (Atlantic flange)	60-150mm height
	D-555-120/220	Bailey Flow-therm Universal Ext'n Unit 120-220mm (Atlantic flange)	120-220mm height
	D-555-16-60/150	Bailey Flow-therm Univ. Ext'n Unit 60-150mm (Atlantic EC16 flange)	60-150mm height
	D-555-16-120/220	Bailey Flow-therm Univ. Ext'n Unit 120-220mm (Atlantic EC16 flange)	120-220mm height
	F-658-60/150	Bailey Flow-therm Universal Ext'n Unit - 60-150mm (screw on flange)	60-150mm height
	F-658-120/220	Bailey Flow-therm Universal Ext'n Unit - 120-220mm (screw on flange)	120-220mm height


FLOW-THERM STANDARD / UNIVERSAL TERRACE & BALCONY GRATES

Flat leaf grates for use in terraced or balcony roofs to fit both Standard and Universal outlets with membrane and screw on flanges. Manufactured from cast aluminium and height adjustable from 34 to 100mm, to extend the grating up from the roof surface and finish flush with the surface finish.

FLOW-THERM UNIVERSAL	Code	Description	Size
	F-659	Bailey Flow-therm Standard / Universal Terrace Grate	34-100mm height
	F-660	Bailey Flow-therm Universal Terrace Grate (for screw on flange)	34-100mm height

FLOW-THERM STANDARD / UNIVERSAL RETAINING UNIT

A retaining unit which connects to Universal outlets with a rubber sealing ring to act as an emergency drain. The retaining unit is height adjustable from 25-105mm allowing the installer to set the height / head of water at which the outlet will begin to operate. For example if the height is set at 35mm, the outlet will only begin to drain when the water on the roof reaches a depth of more than 35mm. It is important that outlets with a retaining unit are drained separately from the main system. (See Diagrams pages 13-17)

FLOW-THERM UNIVERSAL	Code	Description	Size
 <p>Figure 10</p>	F-661-25/105	Bailey Flow-therm Universal Retaining Element 25-105mm	25-105mm height

Bailey Flow-therm Parapet

A range of outlets and connection pipes for parapet wall drainage. Manufactured from polyurethane with an integrated flange of bituminous felt, PVC, Bailey Atlantic® TPE and other membranes* enabling an easy connection with most waterproofing membranes.

FLOW-THERM PARAPET OUTLET


A 90° outlet from polyurethane for parapet drainage, supplied with a large 495mm square membrane flange and fixing ring for fastening the flange and parapet leaf guard. Available in a range of sizes from 50mmØ** to 110mmØ with bituminous felt, PVC or Bailey Atlantic® / Atlantic EC16 flange. (See Diagrams pages 13-17)

FLOW-THERM UNIVERSAL	Code	Description	Size
	F-662-75	Bailey Flow-therm Parapet Outlet - 75mm (felt flange)	75mm Ø
	F-662-110	Bailey Flow-therm Parapet Outlet - 110mm (felt flange)	110mm Ø
	F-662-10-75	Bailey Flow-therm Parapet Outlet - 75mm (PVC flange)	75mm Ø
	F-662-10-110	Bailey Flow-therm Parapet Outlet - 110mm (PVC flange)	110mm Ø
	D-562-75	Bailey Flow-therm Parapet Outlet - 75mm (Atlantic flange)	75mm Ø
	D-562-110	Bailey Flow-therm Parapet Outlet - 110mm (Atlantic flange)	110mm Ø
	D-562-16-75	Bailey Flow-therm Parapet Outlet - 75mm (Atl EC16 flange)	75mm Ø
	D-562-16-110	Bailey Flow-therm Parapet Outlet - 110mm (Atl EC16 flange)	110mm Ø

Figure 11

FLOW-THERM PARAPET LEAF GUARD

A specially designed grate to suit Flow-therm Parapet outlets, for trapping leaves and other debris to prevent blockage of the outlet, connection or downpipe. The leaf guard clamps the fixing ring and thus the membrane to the outlet.

FLOW-THERM PARAPET	Code	Description	Size
	F-663-75	Bailey Flow-therm Parapet Leaf Guard - 75mm	75mm Ø
	F-663-110	Bailey Flow-therm Parapet Leaf Guard - 110mm	110mm Ø

FLOW-THERM PARAPET CONNECTION PIPE

A range of polypropylene socketed connection pipes with an 'O' ring for sealing to Flow-therm Parapet outlets. Connection pipes take the rainwater through the parapet and either drain into a hopper or connect directly to socketed drainage pipe of the same size. Available in sizes from 50mmØ** to 110mmØ and 500mm long, means the pipe can be shortened to suit the width of the parapet.

FLOW-THERM PARAPET	Code	Description	Size
	F-664-75	Bailey Flow-therm Parapet Connecting Pipe - 75mm	75mm Ø x 500mm
	F-664-110	Bailey Flow-therm Parapet Connecting Pipe - 110mm	110mm Ø x 500mm

* Flow-therm Parapet outlets can be manufactured with a custom membrane flange, subject to satisfactory testing and a minimum order quantity - please contact our sales office for details.





** Not a standard item, please contact our sales office for prices and lead times.

Bailey Flow-therm Retrofit

A range of outlets for refurbishment projects for installing inside the existing outlets or for connecting to the old pipework. Manufactured from polyurethane and again available with bituminous felt, PVC, Bailey Atlantic® TPE or a screw on flange enables a watertight seal with all waterproofing membranes.

FLOW-THERM RETROFIT OUTLET

A vertical spigot outlet available in 3 sizes for refurbishment projects. Retrofit outlets can be inserted into the old outlets or existing pipework and are supplied with 2 different size 'O' ring allowing a greater range of outlet or pipework sizes to be accommodated (100-200mmØ internal). Available with bituminous felt, PVC, Bailey Atlantic® / Atlantic EC16 and other membrane flanges*. Supplied with dome leaf guard. (See Diagrams pages 13-17)

FLOW-THERM RETROFIT	Code	Description	Size
 Figure 12	F-665-100/140	Bailey Flow-therm Retrofit Outlet 100-140mm (felt flange)	100-140mm Ø
	F-665-140/165	Bailey Flow-therm Retrofit Outlet 140-165mm (felt flange)	140-165mm Ø
	F-665-165/200	Bailey Flow-therm Retrofit Outlet 165-200mm (felt flange)	165-200mm Ø
 Figure 13	F-665-10-100/140	Bailey Flow-therm Retrofit Outlet 100-140mm (PVC flange)	100-140mm Ø
	F-665-10-140/165	Bailey Flow-therm Retrofit Outlet 140-165mm (PVC flange)	140-165mm Ø
	F-665-10-165/200	Bailey Flow-therm Retrofit Outlet 165-200mm (PVC flange)	165-200mm Ø
 Figure 14	D-565-100/140	Bailey Flow-therm Retrofit Outlet - 100-140mm (Atlantic flange)	100-140mm Ø
	D-565-140/165	Bailey Flow-therm Retrofit Outlet - 140-165mm (Atlantic flange)	140-165mm Ø
	D-565-165/200	Bailey Flow-therm Retrofit Outlet - 165-200mm (Atlantic flange)	165-200mm Ø
 Figure 14	D-565-16-100/140	Bailey Flow-therm Retrofit Outlet - 100-140mm (Atlantic EC16 flange)	100-140mm Ø
	D-565-16-140/165	Bailey Flow-therm Retrofit Outlet - 140-165mm (Atlantic EC16 flange)	140-165mm Ø
	D-565-16-165/200	Bailey Flow-therm Retrofit Outlet - 165-200mm (Atlantic EC16 flange)	165-200mm Ø

FLOW-THERM RETROFIT EXTRA OUTLET

A vertical spigot refurbishment outlet, supplied with a 90mmØ x 630mm long connection pipe. Retrofit Extra outlets can be inserted into old outlets or existing pipework. The connection pipe means that existing outlets or pipework that are a long way below the new surface level (due to increased insulation thicknesses etc) can be connected to the new outlet, providing a watertight seal with the 'O' ring supplied. Available with bituminous felt, PVC, Bailey Atlantic® / Atlantic EC16 and other membrane flanges* or a screw on flange. Supplied with dome leaf guard. (See Diagrams pages 13-17)

FLOW-THERM RETROFIT	Code	Description	Size
 Figure 15	F-666-90	Bailey Flow-therm Retrofit Extra Outlet - 90mm (felt flange)	90mm Ø
	F-666-10-90	Bailey Flow-therm Retrofit Extra Outlet - 90mm (PVC flange)	90mm Ø
 Figure 16	D-566-90	Bailey Flow-therm Retrofit Extra Outlet -90mm (Atlantic flange)	90mm Ø
	D-566-16-90	Bailey Flow-therm Retrofit Extra Outlet -90mm (Atlantic EC16 flange)	90mm Ø
	F-667-90	Bailey Flow-therm Retrofit Extra Outlet - 90mm (screw on flange)	90mm Ø



* Flow-therm Retrofit outlets can be manufactured with a custom membrane flange, subject to satisfactory testing and a minimum order quantity - please contact our sales office for details.

Bailey Flow-therm Compact

A range of shallow sump outlets, for use in balcony/terrace roofs or situations where void space is restricted. Manufactured from polyurethane with an integrated flange of bituminous felt, PVC, Bailey Atlantic® TPE, other membranes* or screw on flange."



FLOW-THERM COMPACT OUTLET - VERTICAL SPIGOT

A compact vertical spigot outlet available in 2 sizes, 50mmØ or 75mmØ, with a bituminous felt, PVC, Bailey Atlantic® / Atlantic EC16 or screw on flange, enabling a watertight seal with all types of waterproofing and vapour control membrane. Supplied with dome leaf guard. (See Diagrams pages 13-17)

FLOW-THERM COMPACT	Code	Description	Size
 <p>Figure 17</p>	F-668-50 F-668-75	Bailey Flow-therm Compact Outlet - 50mm (felt flange) Bailey Flow-therm Compact Outlet - 75mm (felt flange)	50mm Ø 75mm Ø
	F-668-10-50 F-668-10-75	Bailey Flow-therm Compact Outlet - 50mm (PVC flange) Bailey Flow-therm Compact Outlet - 75mm (PVC flange)	50mm Ø 75mm Ø
 <p>Figure 18</p>	D-568-50 D-568-75	Bailey Flow-therm Compact Outlet -50mm (Atlantic flange) Bailey Flow-therm Compact Outlet -75mm (Atlantic flange)	50mm Ø 75mm Ø
	D-568-16-50 D-568-16-75	Bailey Flow-therm Compact Outlet -50mm (Atlantic EC16 flange) Bailey Flow-therm Compact Outlet -75mm (Atlantic EC16 flange)	50mm Ø 75mm Ø
	F-671-50 F-671-75	Bailey Flow-therm Compact Outlet - 50mm (screw on flange) Bailey Flow-therm Compact Outlet - 75mm (screw on flange)	50mm Ø 75mm Ø



FLOW-THERM COMPACT OUTLET - ANGLED SPIGOT

A 90° compact angled spigot outlet available in 2 sizes, 50mmØ or 75mmØ, with a bituminous felt, PVC, Bailey Atlantic® / Atlantic EC16 or screw on flange, enabling a watertight seal with all types of waterproofing and vapour control membrane. Supplied with dome leaf guard. (See Diagrams pages 13-17)

FLOW-THERM COMPACT	Code	Description	Size
 <p>Figure 19</p>	F-669-50 F-669-75	Bailey Flow-therm Compact Angled Outlet - 50mm (felt flange) Bailey Flow-therm Compact Angled Outlet - 75mm (felt flange)	50mm Ø 75mm Ø
	F-669-10-50 F-669-10-75	Bailey Flow-therm Compact Angled Outlet - 50mm (PVC flange) Bailey Flow-therm Compact Angled Outlet - 75mm (PVC flange)	50mm Ø 75mm Ø
 <p>Figure 20</p>	D-569-50 D-569-75	Bailey Flow-therm Compact Angled Outlet - 50mm (Atlantic flange) Bailey Flow-therm Compact Angled Outlet - 75mm (Atlantic flange)	50mm Ø 75mm Ø
	D-569-16-50 D-569-16-75	Bailey Flow-therm Compact Angled Outlet - 50mm (Atlantic EC16 flange) Bailey Flow-therm Compact Angled Outlet - 75mm (Atlantic EC16 flange)	50mm Ø 75mm Ø
	F-672-50 F-672-75	Bailey Flow-therm Compact Angled Outlet - 50mm (screw on flange) Bailey Flow-therm Compact Angled Outlet - 75mm (screw on flange)	50mm Ø 75mm Ø

FLOW-THERM COMPACT EXTENSION UNIT

An extension piece which connects to Compact outlets with a rubber sealing ring, for use in warm roof situations, to extend through insulation thicknesses from 50-120mm. The bituminous felt, PVC or Bailey Atlantic® / Atlantic EC16 flange enables most waterproofing membranes to be fully sealed round the outlet. All membranes can be clamped using the screw on flange version. (See Diagrams pages 13-17)

FLOW-THERM COMPACT	Code	Description	Size
 <p>Figure 21</p>	F-670-50/220 F-670-10-50/220	Bailey Flow-therm Compact Ext'n Unit - 50-220mm (felt flange) Bailey Flow-therm Compact Ext'n Unit - 50-220mm (PVC flange)	50-220mm height 50-220mm height
	D-570-50/220 D-570-16-50/220	Bailey Flow-therm Compact Ext'n Unit - 50-220mm (Atlantic flange) Bailey Flow-therm Compact Ext'n Unit - 50-220mm (Atl EC16 flange)	50-220mm height 50-220mm height
 <p>Figure 22</p>	F-673-50/220	Bailey Flow-therm Compact Ext'n Unit - 50-220mm (screw on flange)	50-220mm height

* Flow-therm Compact outlets can be manufactured with a custom membrane flange, subject to satisfactory testing and a minimum order quantity - please contact our sales office for details.

FLOW-THERM COMPACT RETAINING UNIT

A retaining unit which connects to Compact outlets with a rubber sealing ring to act as an emergency drain. The retaining unit is height adjustable from 50-220mm allowing the installer to set the height / head of water at which the outlet will begin to operate. For example if the height is set at 35mm, the outlet will only begin to drain when the water on the roof reaches a depth of more than 35mm. It is important that outlets with a retaining unit are drained separately from the main system. (See Diagrams pages 13-17)

FLOW-THERM COMPACT	Code	Description	Size
	F-674-50/220	Bailey Flow-therm Compact Retaining Element - 50-220mm	50-220mm height

Figure 23

FLOW-THERM COMPACT TERRACE & BALCONY GRATES

A range of flat leaf grates for use in terraced or balcony roofs to fit Compact outlets. Manufactured from stainless steel and height adjustable, extending the grating up from the roof surface to finish flush with the surface finish. Available in 6 different types:

Type 1: 60-105mm, square top grate with inlet and leaf guard to allow drainage at roof level.





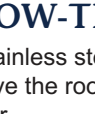

Type 1A: as type 1 with trap.

Type 2: 30-85mm, for areas with low construction heights, square top grate with inlet at the base.

Type 3: 75-105mm, round top grate to suit 50 or 75mmØ downpipe with inlet and guard at base.

Type 3A: as type 3 with trap.

Type 4: 40-85mm, for areas with low construction heights, round top grate to suit 50 or 75mmØ downpipe, with inlet at the base

FLOW-THERM COMPACT	Code	Description	Size
	F-675-1	Bailey Flow-therm Compact Balcony Grate - Type 1	60-105mm height
	F-675-1A	Bailey Flow-therm Compact Balcony Grate - Type 1A	60-105mm height
	F-675-2	Bailey Flow-therm Compact Balcony Grate - Type 2	30-85mm height
	F-675-3	Bailey Flow-therm Compact Balcony Grate - Type 3	75-105mm height
	F-675-3A	Bailey Flow-therm Compact Balcony Grate - Type 3A	75-105mm height
	F-675-4	Bailey Flow-therm Compact Balcony Grate - Type 4	40-85mm height

FLOW-THERM COMPACT HEIGHT ADJUSTMENT UNIT

A stainless steel unit for adjusting the height of Compact balcony grates in situations where the balcony / terrace surface is set well above the roof surface. The adjuster unit can be shortened using a saw or the height increased by stacking 2 units on top of each other.

FLOW-THERM COMPACT	Code	Description	Size
	F-676	Bailey Flow-therm Compact Height Adjuster	95mm height

Bailey Flow-therm Roof Vents

A range of roof ventilators with a base plate manufactured from polyurethane for use in warm and cold roof situations. Available with an integrated flange of bituminous felt, PVC, Bailey Atlantic® TPE and other waterproofing membranes*.

FLOW-THERM WARM ROOF VENTS

A roof ventilator for use in warm roof constructions which can be used in conjunction with an additional base plate (F-680) enabling both the vapour control membrane and the waterproofing membrane to be sealed to the flanges. Supplied with an 'O' ring, 750mm long connecting pipe and bituminous felt, PVC or Bailey Atlantic® / Atlantic EC16 flange. (See Diagrams pages 13-17)


FLOW-THERM ROOF VENTS	Code	Description	Size
	F-677-110 F-677-160	Bailey Flow-therm Warm Roof Vent - 110mm (felt flange) Bailey Flow-therm Warm Roof Vent - 160mm (felt flange)	110mm Ø 160mm Ø
	F-677-10-110 F-677-10-160	Bailey Flow-therm Warm Roof Vent - 110mm (PVC flange) Bailey Flow-therm Warm Roof Vent - 160mm (PVC flange)	110mm Ø 160mm Ø
	D-577-110 D-577-160	Bailey Flow-therm Warm Roof Vent - 110mm (Atlantic flange) Bailey Flow-therm Warm Roof Vent - 160mm (Atlantic flange)	110mm Ø 160mm Ø
	D-577-16-110 D-577-16-160	Bailey Flow-therm Warm Roof Vent - 110mm (Atlantic EC16 flange) Bailey Flow-therm Warm Roof Vent - 160mm (Atlantic EC16 flange)	110mm Ø 160mm Ø

Figure 24

FLOW-THERM WARM ROOF VENTS / CABLE DUCT

A roof ventilator for use in warm roof constructions which can also be used as a waterproof duct for cable penetrations etc. When used in conjunction with an additional base plate (F-680) the vapour control and waterproofing membrane can both be sealed to the flanges. Supplied with an 'O' ring, 750mm long connecting pipe, 180° bend and bituminous felt, PVC or Bailey Atlantic® / Atlantic EC16 flange. (See Diagrams pages 13-17)


FLOW-THERM ROOF VENTS	Code	Description	Size
	F-678-110 F-678-160	Bailey Flow-therm Roof Vent / Cable Duct - 110mm (felt flange) Bailey Flow-therm Roof Vent / Cable Duct - 160mm (felt flange)	110mm Ø 160mm Ø
	F-678-10-110 F-678-10-160	Bailey Flow-therm Roof Vent / Cable Duct - 110mm (PVC flange) Bailey Flow-therm Roof Vent / Cable Duct - 160mm (PVC flange)	110mm Ø 160mm Ø
	D-578-110 D-578-160	Bailey Flow-therm Roof Vent / Cable Duct -110mm (Atlantic flange) Bailey Flow-therm Roof Vent / Cable Duct -160mm (Atlantic flange)	110mm Ø 160mm Ø
	D-578-16-110 D-578-16-160	Bailey Flow-therm Roof Vent / Cable Duct -110mm (Atlantic EC16 flange) Bailey Flow-therm Roof Vent / Cable Duct -160mm (Atlantic EC16 flange)	110mm Ø 160mm Ø

Figure 25

FLOW-THERM COLD ROOF VENTS

A roof ventilator for use in cold roof constructions supplied in 2 diameters with a height of 400mm. Available with bituminous felt, PVC or Bailey Atlantic® / Atlantic EC16 flange, ensuring a watertight seal is achieved with the waterproofing membrane around the penetration. (See Diagrams pages 13-17)



FLOW-THERM ROOF VENTS	Code	Description	Size
	F-679-110 F-679-160	Bailey Flow-therm Cold Roof Vent - 110mm (felt flange) Bailey Flow-therm Cold Roof Vent - 160mm (felt flange)	110mm Ø 160mm Ø
	F-679-10-110 F-679-10-160	Bailey Flow-therm Cold Roof Vent - 110mm (PVC flange) Bailey Flow-therm Cold Roof Vent - 160mm (PVC flange)	110mm Ø 160mm Ø
	D-579-110 D-579-160	Bailey Flow-therm Cold Roof Vent - 110mm (Atlantic flange) Bailey Flow-therm Cold Roof Vent - 160mm (Atlantic flange)	110mm Ø 160mm Ø
	D-579-16-110 D-579-16-160	Bailey Flow-therm Cold Roof Vent - 110mm (Atlantic EC16 flange) Bailey Flow-therm Cold Roof Vent - 160mm (Atlantic EC16 flange)	110mm Ø 160mm Ø

Figure 26

* Flow-therm Roof Vents can be manufactured with a custom membrane flange, subject to satisfactory testing and a minimum order quantity - please contact our sales office for details.




FLOW-THERM ROOF VENT BASE PLATE

An additional base plate for use with warm roof vents in warm roof constructions. The bituminous felt flange means the vapour control membrane can be sealed to it round the penetration and the roof vent can be ordered with the correct membrane for sealing the waterproofing layer. Supplied with a sealing ring ensuring it is waterproof where the pipe is inserted into the plate.

FLOW-THERM COMPACT	Code	Description	Size
	F-680-110	Bailey Flow-therm Roof Vent Base Plate - 110mm (felt flange)	110mm Ø
	F-680-160	Bailey Flow-therm Roof Vent Base Plate - 160mm (felt flange)	160mm Ø

FLOW-THERM ROOF VENT CAPS / GRATES & REDUCERS

A range of caps and grates to go on the top of Flow-therm Roof Vents to prevent water, leaves and other debris entering the top of the vent pipe. Also a reducer with a socket and 'O' ring for reducing the diameter of the vent pipe from 110mm to 75mm to connect to smaller pipework.

FLOW-THERM COMPACT	Code	Description	Size
	F-681-110	Bailey Flow-therm Roof Vent Cap - 110mm	110mm Ø
	F-681-160	Bailey Flow-therm Roof Vent Cap - 160mm	160mm Ø
	F-682-110	Bailey Flow-therm Roof Vent Grate - 110mm	110mm Ø
	F-682-160	Bailey Flow-therm Roof Vent Grate - 160mm	160mm Ø
	F-683-100/70	Bailey Flow-therm Roof Vent Reducer - 100-70mm	100-70mm Ø

Bailey Flow-therm Firesafe

A roof outlet and ventilation system manufactured from polyurethane and galvanised steel. Firesafe products are designed to prevent fire from spreading from below according to DIN 18234 part 3 & 4

FLOW-THERM FIRESAFE OUTLETS

A Standard or Universal polyurethane outlet encased in a fire protection box of galvanised steel and surrounded by fireproof material. The Firesafe outlet is supplied completely pre-mounted with an adhesive flange for connecting the vapour barrier membrane. At the base of the outlet there is a connection pipe (size 75 - 160mmØ) with a fire protection sleeve which collapses in the event of fire, closing off the penetration through the roof build up, thus preventing the fire spreading to the roof surface.

(See Diagrams pages 13-17)

FLOW-THERM PARAPET	Code	Description	Size
	F-684-75	Bailey Flow-therm Firesafe Outlet - 75mm (for Standard outlets)	75mm Ø
	F-684-110	Bailey Flow-therm Firesafe Outlet - 110mm (for Standard outlets)	110mm Ø
	F-684-160	Bailey Flow-therm Firesafe Outlet - 160mm (for Standard outlets)	160mm Ø
	F-685-75	Bailey Flow-therm Firesafe Outlet - 75mm (for Universal outlets)	75mm Ø
	F-685-110	Bailey Flow-therm Firesafe Outlet - 110mm (for Universal outlets)	110mm Ø

Figure 27/28

FLOW-THERM FIRESAFE ROOF VENTS

A Flow-therm polyurethane roof vent encased in a fire protection box of galvanised steel and surrounded by fireproof material. The Firesafe roof vent is supplied completely pre-mounted with an adhesive flange for connecting the vapour barrier membrane. At the base of the vent there is a connection pipe (size= 110mmØ or 160mmØ) with a fire protection sleeve which collapses in the event of fire, closing off the penetration through the roof build up, thus preventing the fire spreading to the roof surface. (See Diagrams pages 13-17)


FLOW-THERM PARAPET	Code	Description	Size
	F-686-110	Bailey Flow-therm Firesafe Roof Vent - 110mm (for warm roof vents)	110mm Ø
	F-686-160	Bailey Flow-therm Firesafe Roof Vent - 160mm (for warm roof vents)	160mm Ø

Figure 29

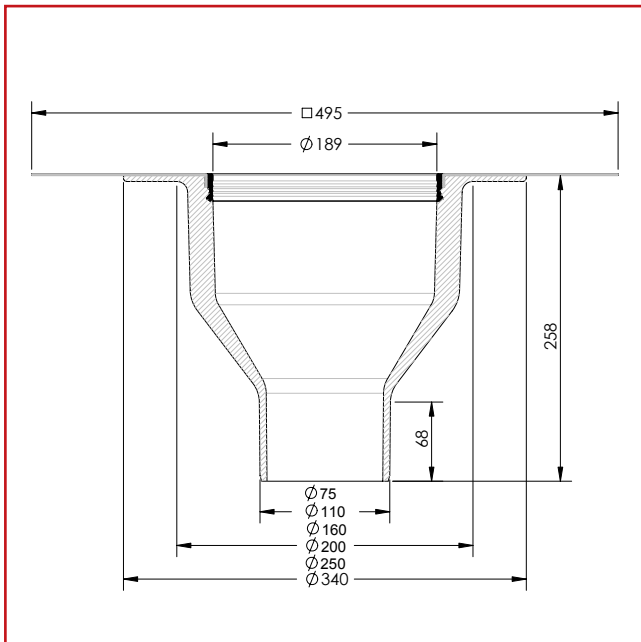


Figure 1 ? Flow?therm Standard Outlet

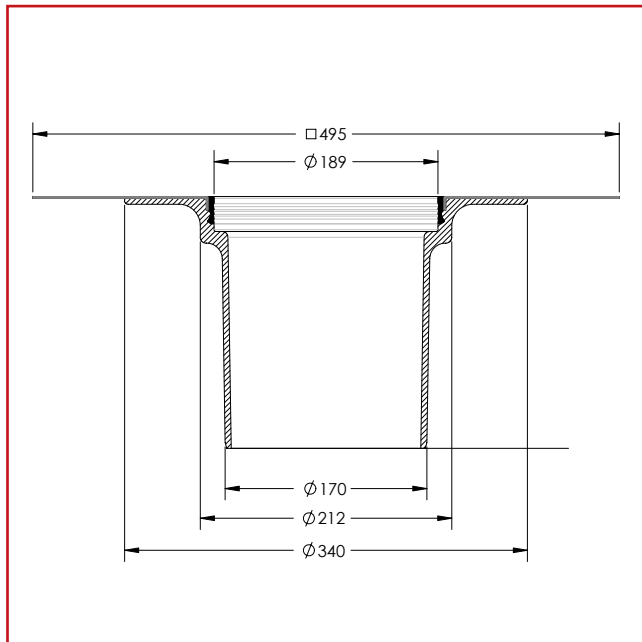


Figure 2 ? Flow?therm Standard Extension U

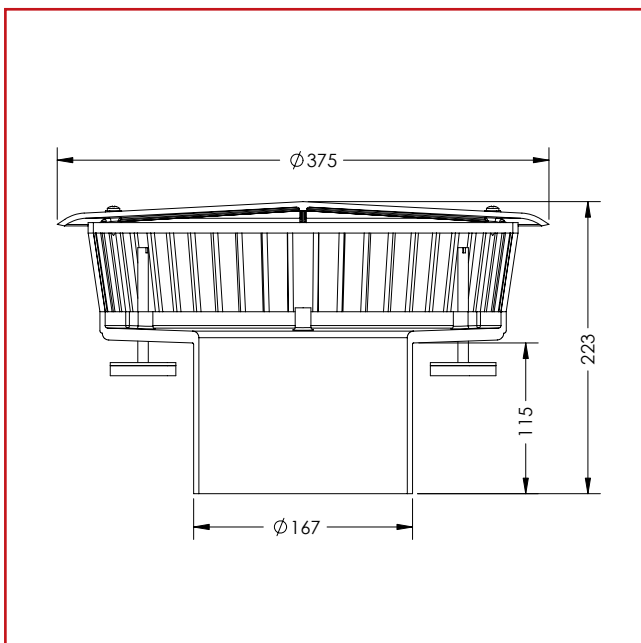


Figure 3 ? Flow?therm Standard Retaining Unit

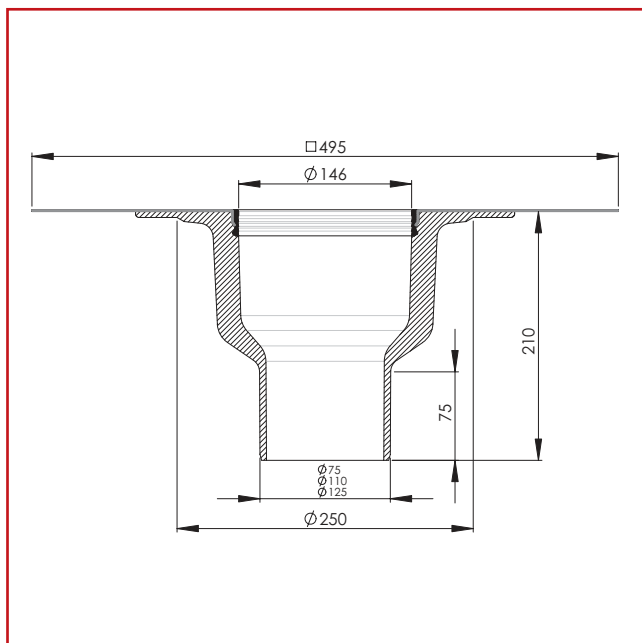


Figure 4 ? Flow?therm Universal Outlet ? ve
spigot

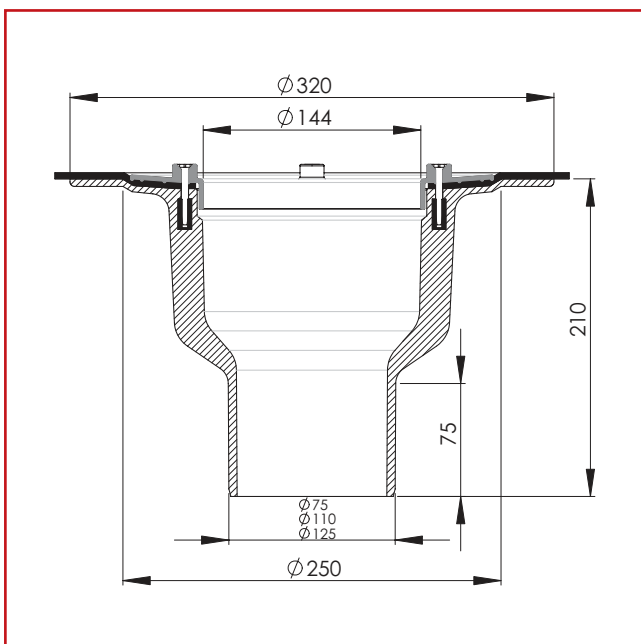


Figure 5 ? Flow?therm Universal Outlet ? vertica
spigot

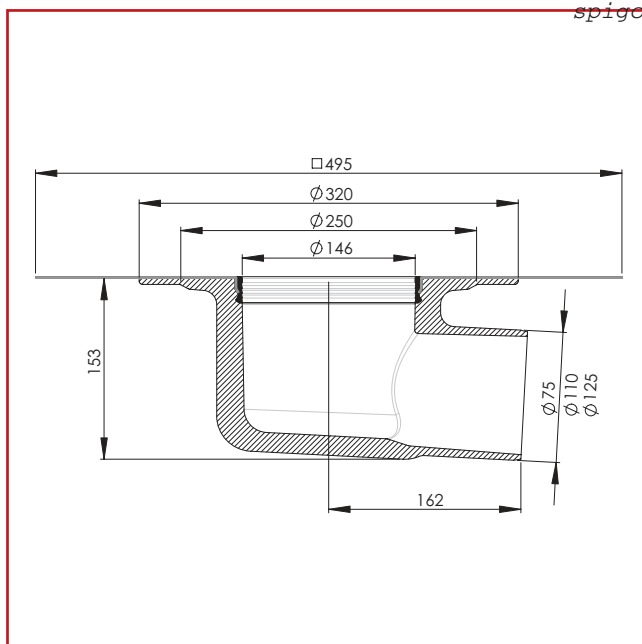


Figure 6 ? Flow?therm Universal Outlet ? an
spigot

SECTION 8 - DIAGRAMS

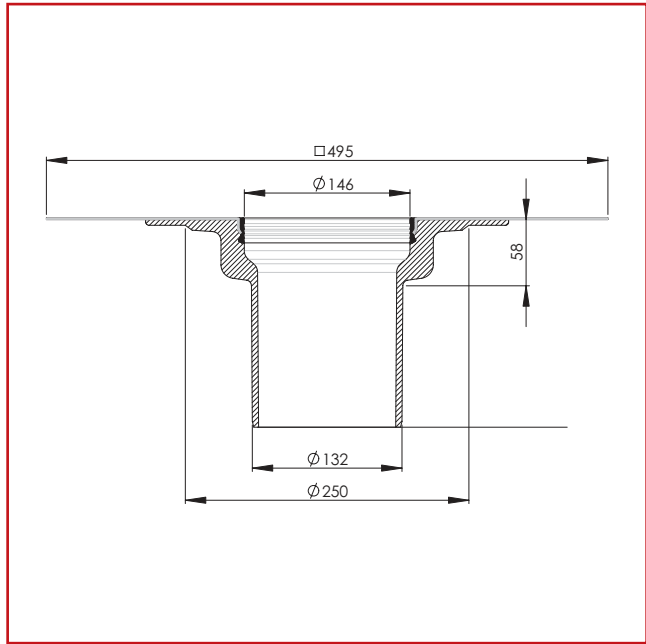
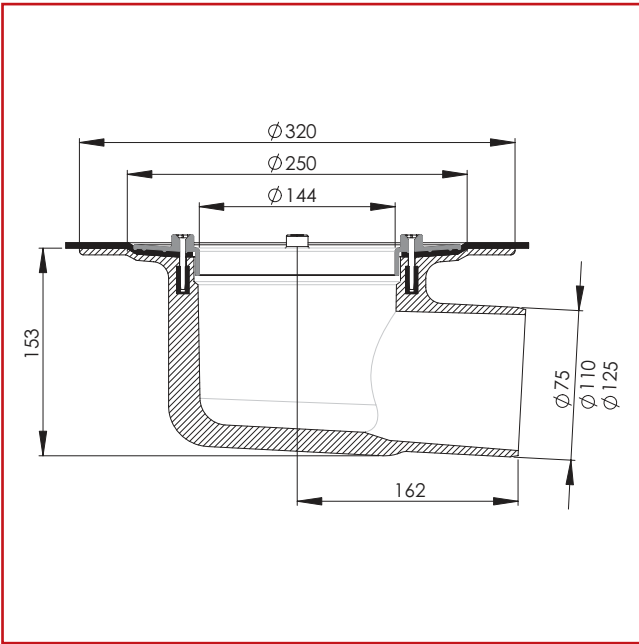


Figure 7 ? Flow?therm Universal Outlet ? angled spigot Figure 8 ? Flow?therm Universal Extension unit

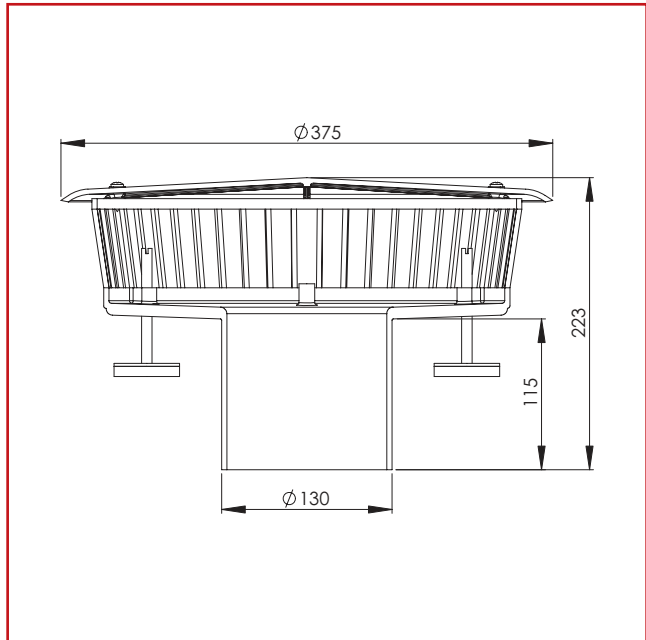
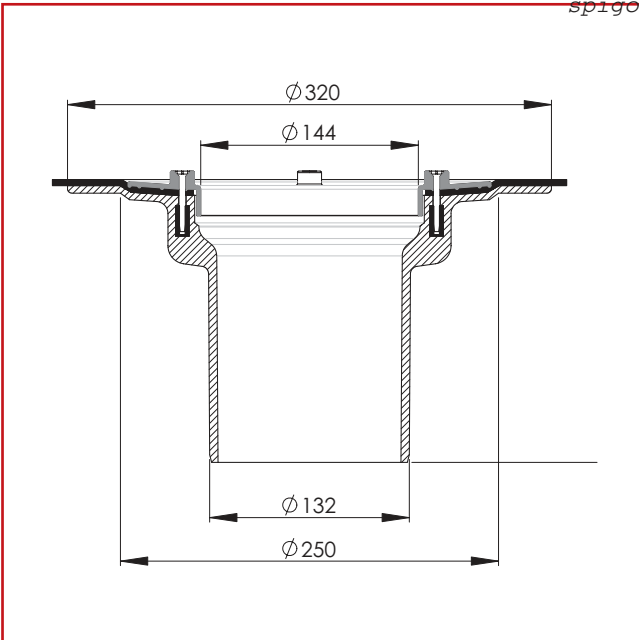


Figure 9 ? Flow?therm Universal Extension Figure 10 ? Flow?therm Standard/Universal Retaining Unit

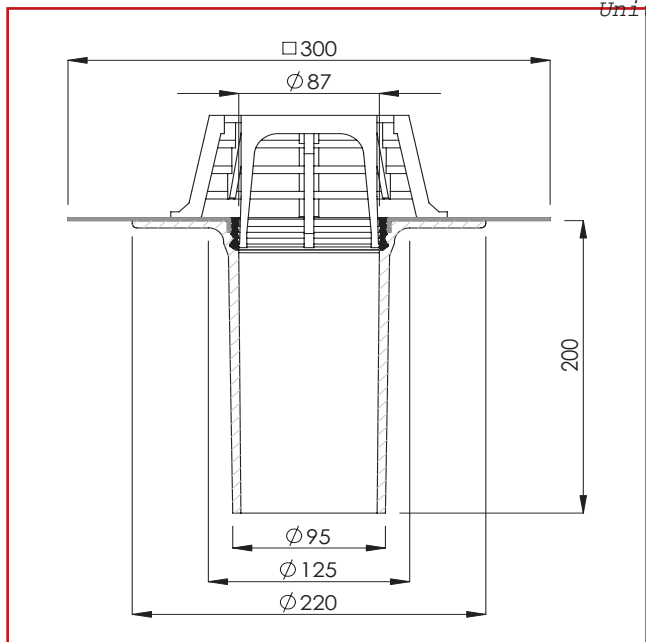
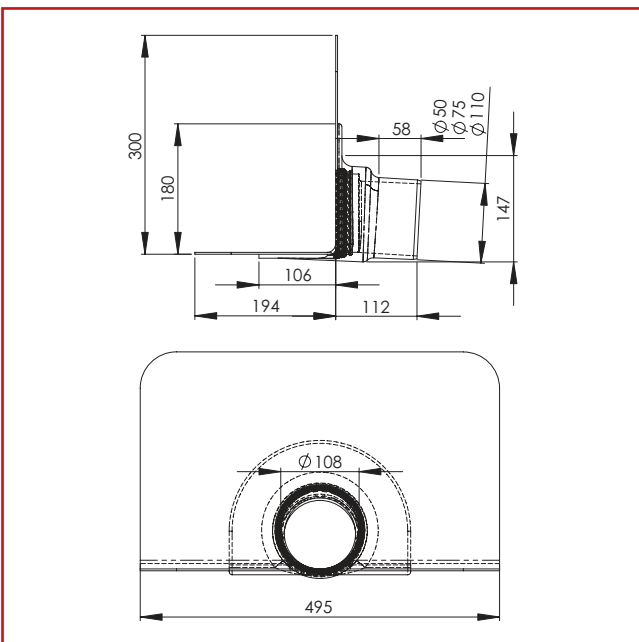


Figure 11 ? Flow?therm Parapet Outlet

Figure 12 ? Flow?therm Retrofit Outlet

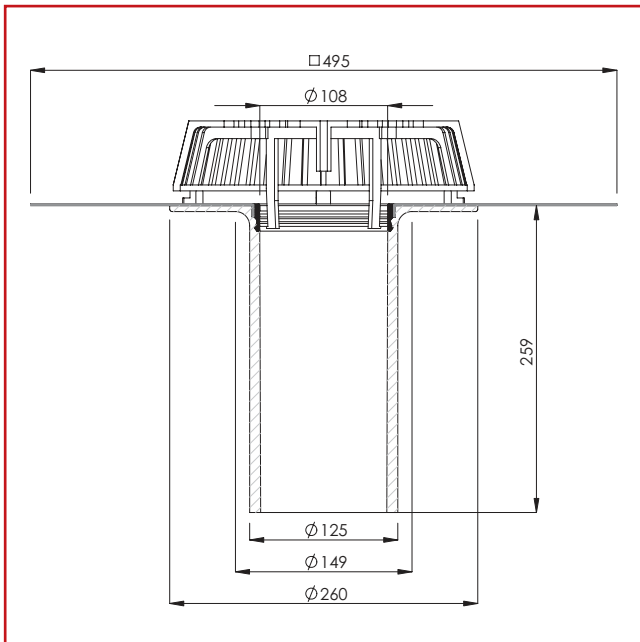


Figure 13 ? Flow?therm Retrofit Outlet

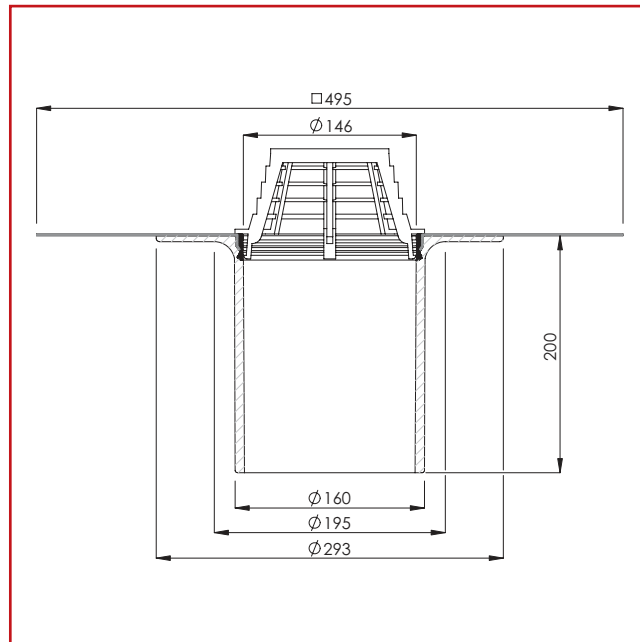


Figure 14 ? Flow?therm Retrofit Outlet

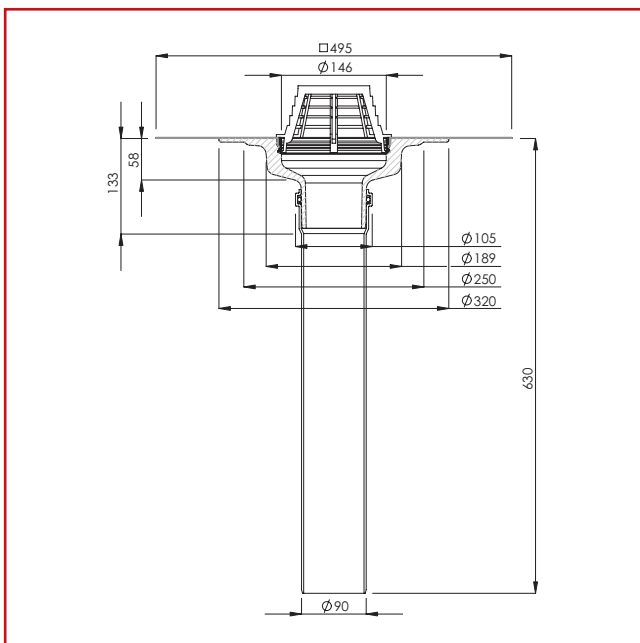


Figure 15 ? Flow?therm Retrofit Extra Outlet

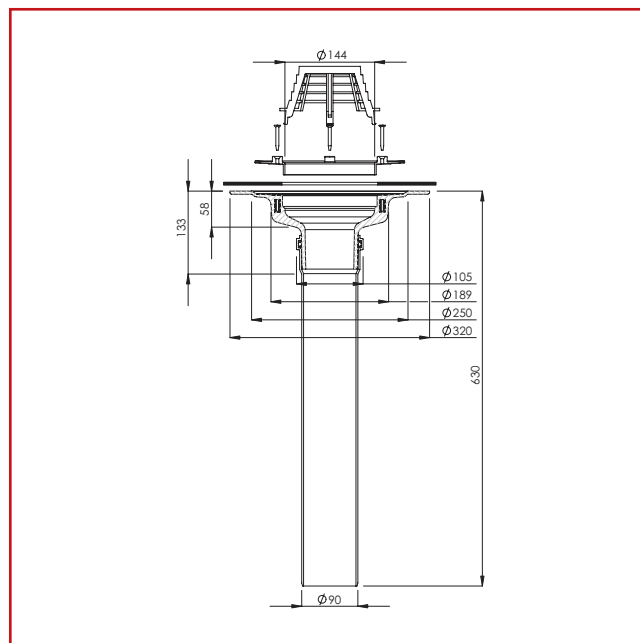


Figure 16 ? Flow?therm Retrofit Extra Outlet

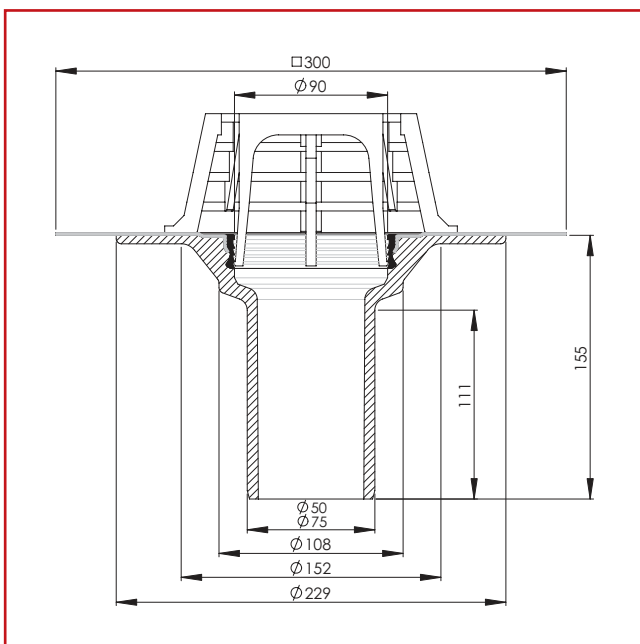


Figure 17 ? Flow?therm Compact Outlet ? vertical

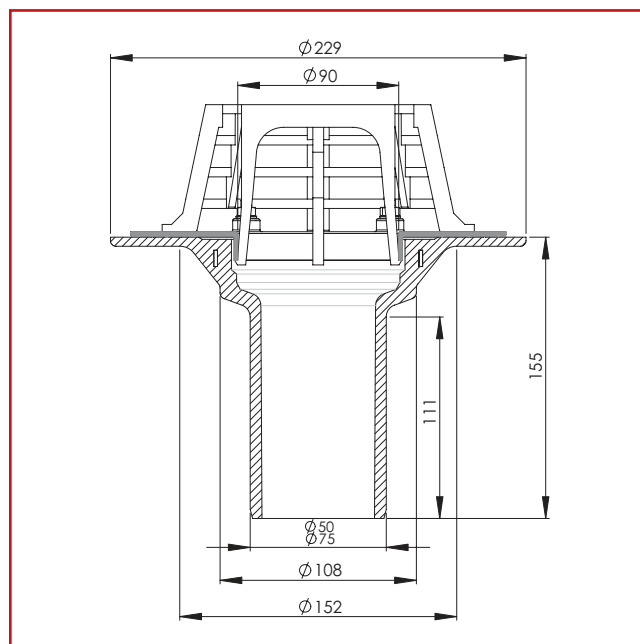


Figure 18 ? Flow?therm Compact Outlet ? vertical

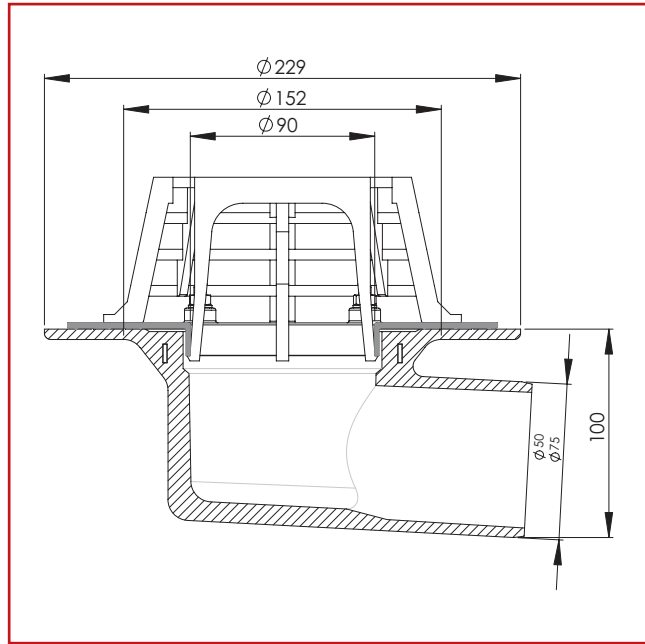
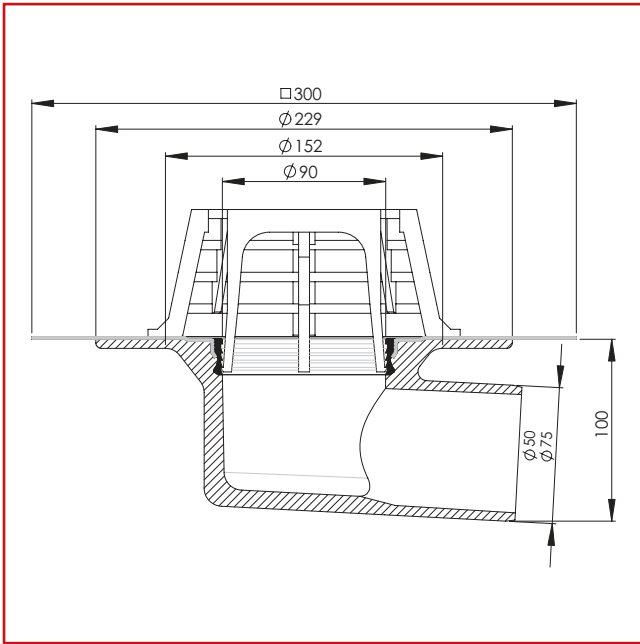


Figure 19 ? Flow?therm Compact Outlet ? angled spigot

Figure 20 ? Flow?therm Compact Outlet ? angled spigot

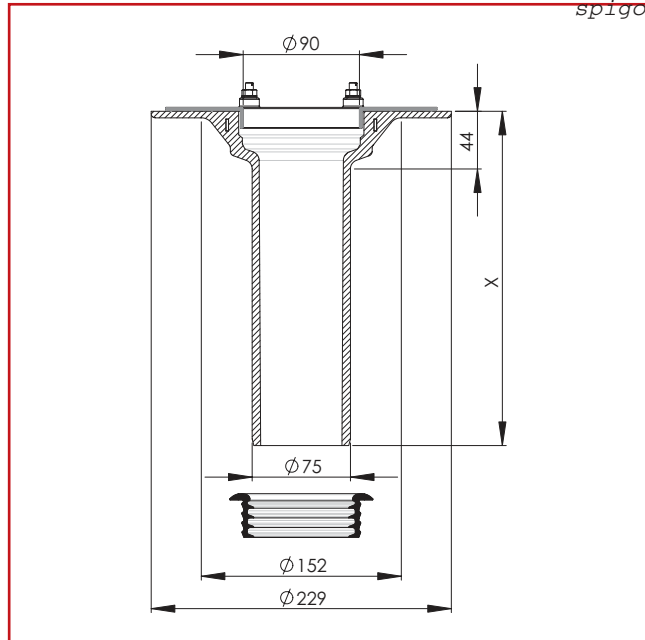
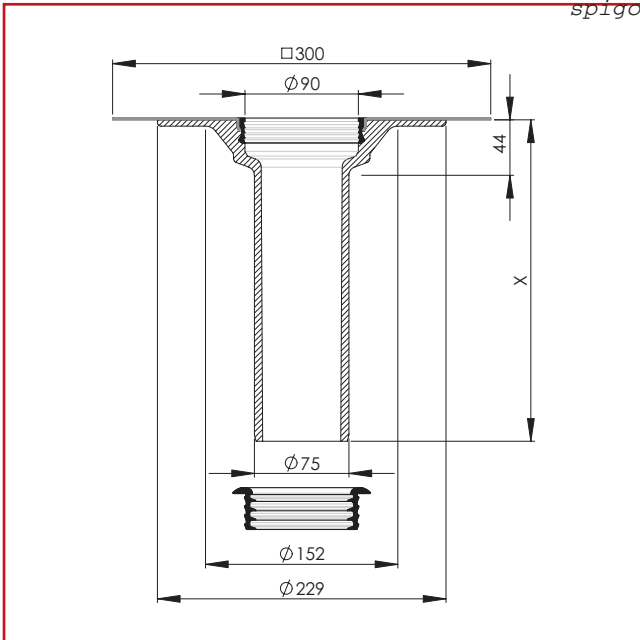


Figure 21 ? Flow?therm Compact Extension Unit

Figure 22 ? Flow?therm Compact Extension Unit

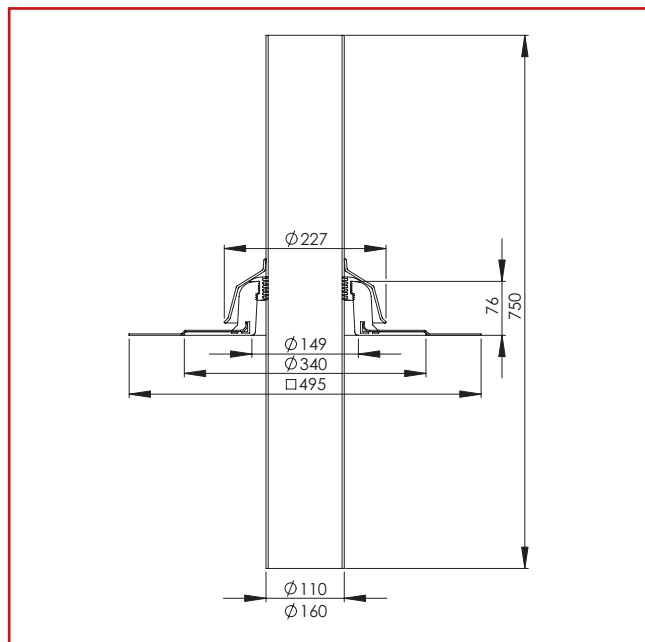
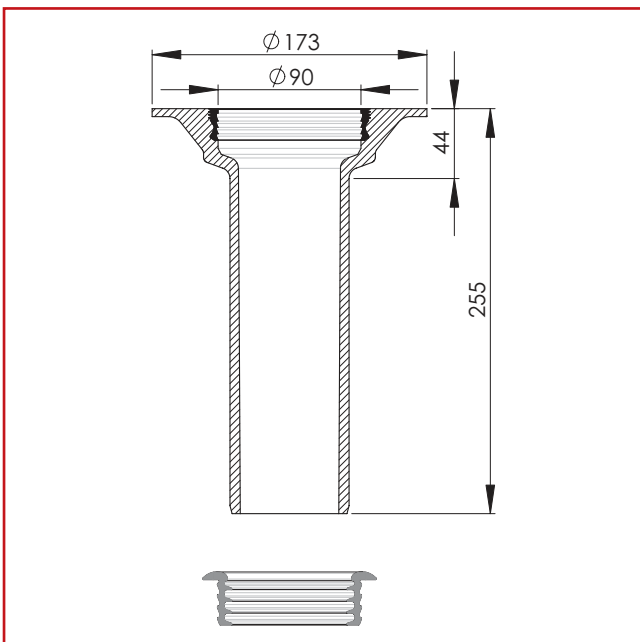


Figure 23 ? Flow?therm Compact Retaining Unit

Figure 24 ? Flow?therm Warm Roof Vent

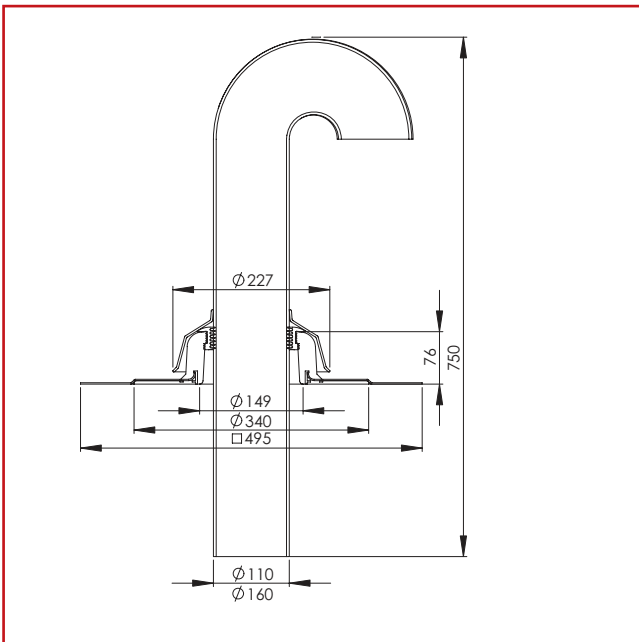


Figure 25 ? Flow?therm Warm Roof Vent/Cable Duct

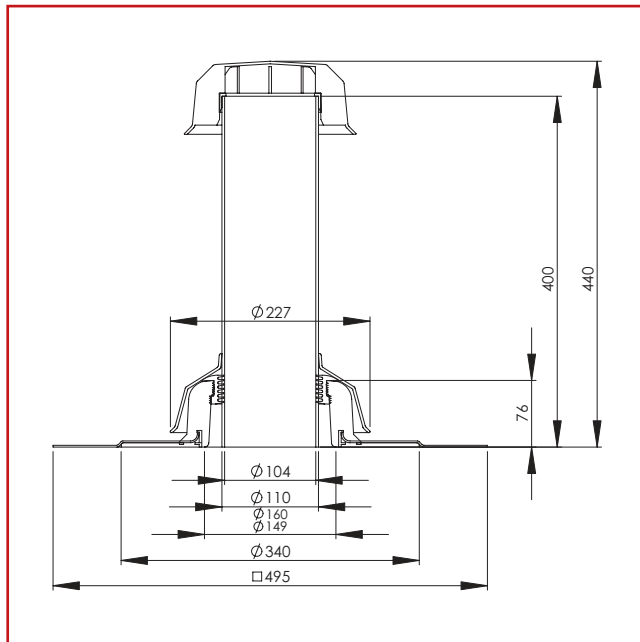


Figure 26 ? Flow?therm Cold Roof Vent

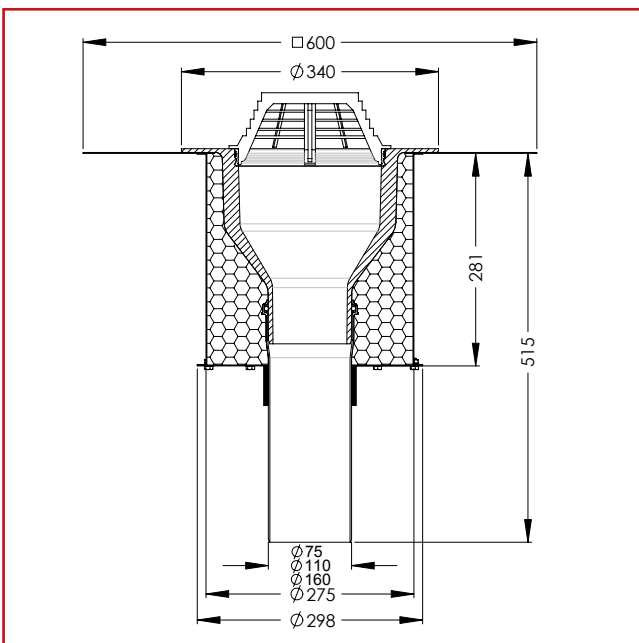


Figure 27 ? Flow?therm Firesafe Outlets (Standard)

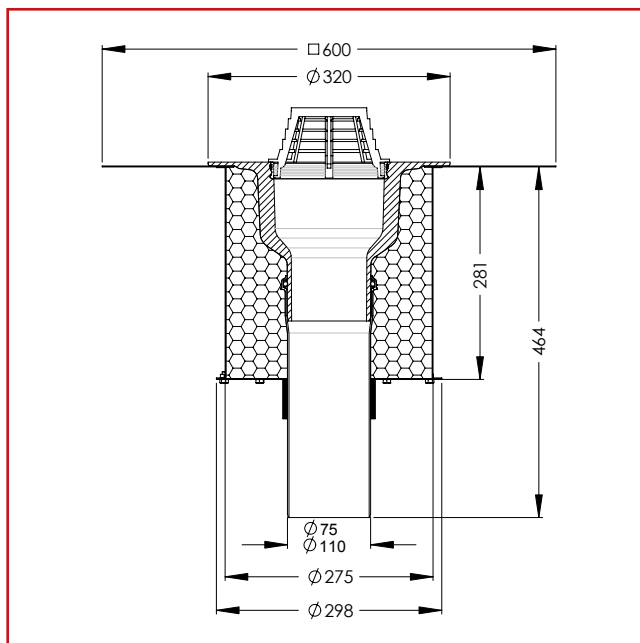


Figure 28 ? Flow?therm Firesafe Outlets (University)

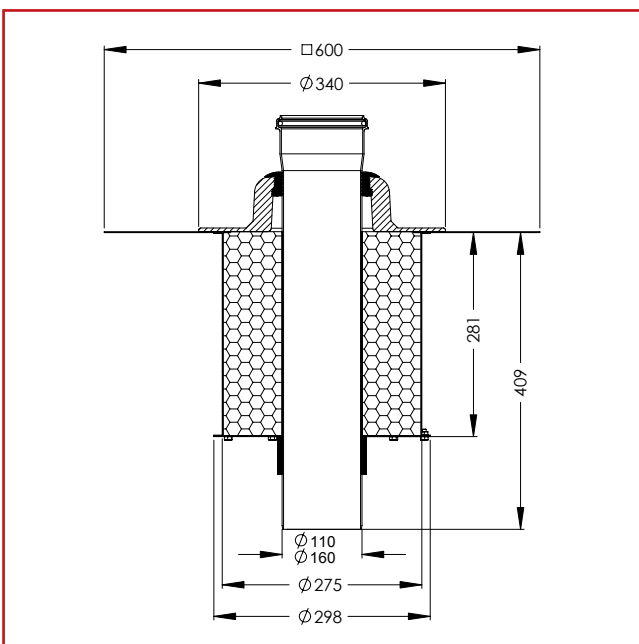


Figure 29 ? Flow?therm Firesafe Roof Vent



UK office Blatchford Close Horsham West Sussex RH13 5RF
Tel +44 (0)1403 261844 Email sales@bailey-uk.com www.bailey-uk.com

European office Tel +31 (0)88 100 3800 Email sales@bailey-eu.com www.bailey-eu.com